



ECO Lines F80RGY

ECO Lines F80RGY Color Changing Line Projector

Projects a thick, permanent floor line that eliminates the need for maintenance required by floor tape and paint lines.

- Switch between Red, Green, Yellow, Color Sequences and Blinking
- Intuitive controls, feature-rich automation options
- 3rd Generation: Crisper, longer lines at increased brightness
- Focusable for optimal line appearance and brightness
- Maintenance free, no fans or motors



SPECIFICATIONS

Item Code:	EL-F80RGY
Power Supply:	100-240/277VAC, 50/60Hz (Voltage Range: 90-305VAC, 48-63Hz; 127-431VDC)
Power Draw:	140W, 1.6A/115V, 0.7A/277V
Driver:	MOSO X6-150M041 (integrated)
Inrush Current:	COLD START 75A (t width=570µs at 50% I peak) at 230VAC per NEMA 410
Breakers:	We recommend lighting specific breakers at 70% of specified load
Power Cord:	Length: 8.5' (2.6m), Plug: Standard plug: Nema 5-15 (other plug options available)
Control Input Signals:	Input 1: Dry switch for switching between two pre-set modes Input 2: 0-10V for switching between ten modes

Environmental Rating:	Driver: IP67, Projector: IP65
Safety Standards:	EC: EN IEC 60598-1:2021, N IEC 60598-2-1:2021, Driver: UL E334687
Temperature Range:	-22°F to 113°F (-30°C to 45°C)

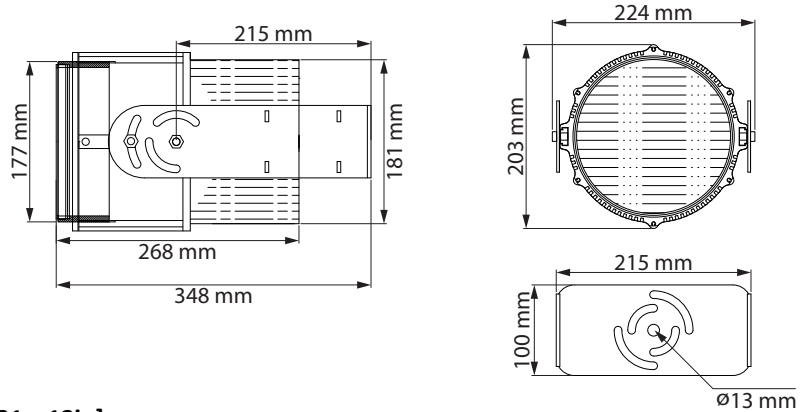
LED Life:	35,000h until 30% brightness loss is reached (L70*) (*L70= the time to 30% brightness loss)
Driver Life:	MTBF: 200,000h, lifetime: 100,000h at tc=75°C and 80% load (driver and LED are field serviceable)

Projection Colors:	Red, Green, Yellow, Color Sequences, Blinking		
Line Width:	3 to 6" (75 to 150mm)		
Projection Lenses:	53° (1:0.93 throw ratio)	73° (1:1.4 throw ratio)	90° (1:1.86 throw ratio)
Focus:	Field adjustable focus, pre-set for 21-33' (6.4-9.5m) projection distance.		

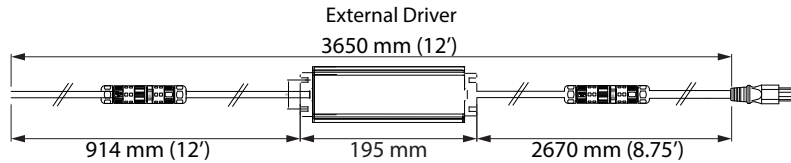
Typ. Projection Range / Size	Bright Environment	Average Env.	Dim Env.
Typ. Usable Line Length:	36-45' (11-14m)	48-56' (15-17m)	80' (24m)
At typ. Distance:	20/27/41' (6/8/13m)	26/34/52' (7.5/10/15m)	43/65/86' (12/16/24m)
Line Length Adjustment:	Yes, with optional blinders (the min. length is approx. 30% of the full line length)		

Product Warranty: Two years from date of purchase

DIMENSIONS AND WEIGHT



Dimensions in mm
 Weight incl. Driver: 5.9kg [13lbs]
 Master Carton (2 pcs): 58 x 54 x 30cm [23 x 21 x 12in]
 Master Carton Dim Weight: 15.7kg



PHOTOMETRICS (see our website for metric version and details)

ECO Lines™ Photometrics (Imperial values)															
Model	Lens	Beam Mult.	Value	PROJECTION DISTANCE IN FEET (ft)											
				9	12	15	20	24	30	36	39	46	52	60	66
ECO Lines F80 Green	53°	0.90	Length (ft)	8.1	10.8	13.5	18.0	21.6	27.0	32.4	35	41	47	54	59
			Brightn.(fc)	1911	1075	688	387	269	172	119	102	73	57	43	36
	73°	1.40	Length (ft)	12.6	16.8	21.0	28.0	33.6	42.0	50.4	54.6	64.4	72.8	84.0	92.4
			Brightn.(fc)	1500	844	540	304	211	135	94	80	57	45	34	28
	90°	1.90	Length (ft)	17.1	22.8	28.5	38.0	46	57	68	74	87	99	114	125
			Brightn.(fc)	1300	731	468	263	183	117	81	69	50	39	29	24
ECO Lines F80 Yellow	53°	0.90	Length (ft)	8.1	10.8	13.5	18.0	21.6	27.0	32.4	35	41	47	54	59
			Brightn.(fc)	1511	850	544	306	213	136	94	80	58	45	34	28
	73°	1.40	Length (ft)	12.6	16.8	21.0	28.0	33.6	42.0	50.4	54.6	64.4	72.8	84.0	92.4
			Brightn.(fc)	1167	656	420	236	164	105	73	62	45	35	26	22
	90°	1.90	Length (ft)	17.1	22.8	28.5	38.0	46	57	68	74	87	99	114	125
			Brightn.(fc)	1056	594	380	214	148	95	66	56	40	32	24	20
ECO Lines F80 Red	53°	0.90	Length (ft)	8.1	10.8	13.5	18.0	21.6	27.0	32.4	35	41	47	54	59
			Brightn.(fc)	1267	713	456	257	178	114	79	67	48	38	29	24
	73°	1.40	Length (ft)	12.6	16.8	21.0	28.0	33.6	42.0	50.4	54.6	64.4	72.8	84.0	92.4
			Brightn.(fc)	1011	569	364	205	142	91	63	54	39	30	23	19
	90°	1.80	Length (ft)	16.2	21.6	27.0	36.0	43	54	65	70	83	94	108	119
			Brightn.(fc)	889	500	320	180	125	80	56	47	34	27	20	17
© 2024 Gobosource. Gobosource is a Registered Trademark of Globus New Media LLC															
How to Read the Illumination Values				700+	180-700	90-180	60-90	40-60							
Lighting environment description				Extreme bright	Very bright	Standard	Moderate	Dim							